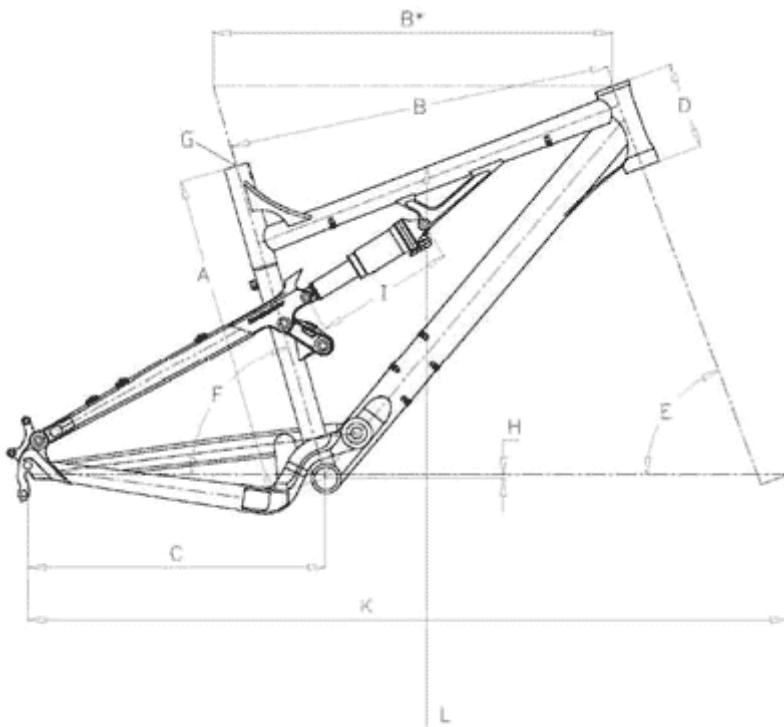


Mountainbike-Fully

- A = Seat Tube Length
- B = Top Tube Length (Actual)
- B* = Top Tube Length (Horizontal)
- C = Chainstay Length
- D = Head Tube Height
- E = Head Tube Angle
- F = Seat Tube Angle
- G = Seatpost diameter
- H = Bottom Bracket Drop
- I = Eye to Eye
- K = Wheel Base
- L = Standover Height



Evolve FMN

RH	A	B	B*	C	D	E	F	G	H	I	K	L
S	435	532	550	430	120	68.5°	74	27.2	10	190	1083.5	775
M	470	550	570	430	130	69°	74°	27.2	10	190	1099	770
L	500	570	590	430	135	69°	74°	27.2	10	190	1119	786
XL	540	586	605	430	145	69.5°	73.5°	27.2	10	190	1124	795

all dimensions in mm