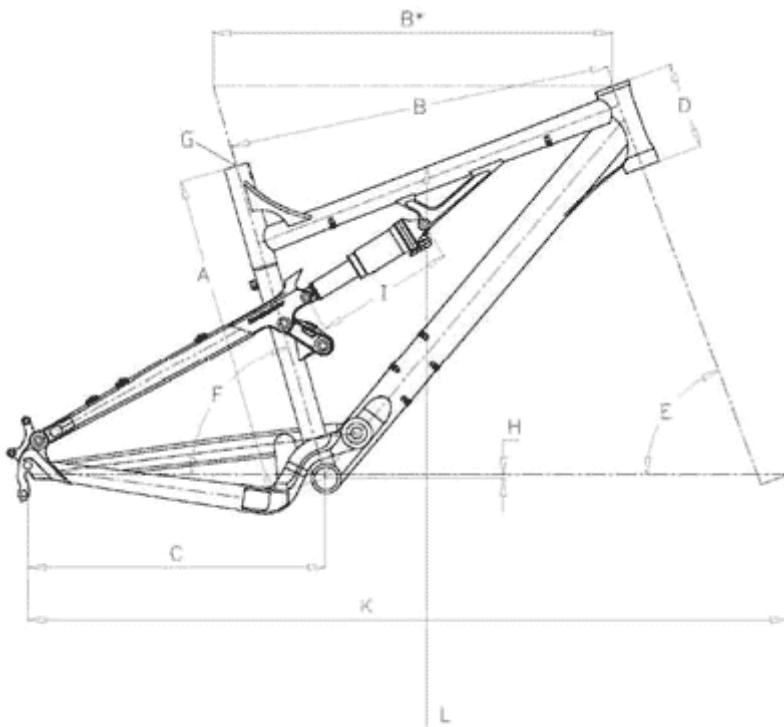


## Mountainbike-Fully

- A = Seat Tube Length
- B = Top Tube Length (Actual)
- B\* = Top Tube Length (Horizontal)
- C = Chainstay Length
- D = Head Tube Height
- E = Head Tube Angle
- F = Seat Tube Angle
- G = Seatpost diameter
- H = Bottom Bracket Drop
- I = Eye to Eye
- K = Wheel Base
- L = Standover Height



## Evolve

| RH        | A   | B   | B*  | C   | D   | E     | F     | G    | H  | I   | K      | L     |
|-----------|-----|-----|-----|-----|-----|-------|-------|------|----|-----|--------|-------|
| <b>S</b>  | 435 | 547 | 565 | 430 | 115 | 68.5° | 74    | 27.2 | 10 | 190 | 1098   | 777   |
| <b>M</b>  | 470 | 568 | 585 | 430 | 125 | 69°   | 74°   | 27.2 | 10 | 190 | 1113.5 | 777   |
| <b>L</b>  | 500 | 586 | 602 | 430 | 130 | 69°   | 74°   | 27.2 | 10 | 190 | 1134   | 779.5 |
| <b>XL</b> | 540 | 597 | 620 | 430 | 140 | 69.5° | 73.5° | 27.2 | 10 | 190 | 1138.5 | 786   |

*all dimensions in mm*