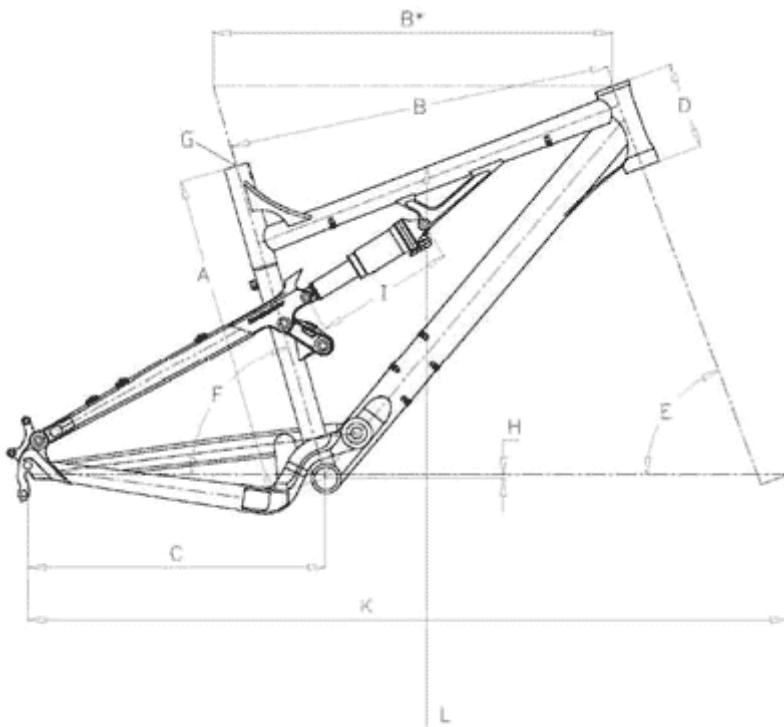


Mountainbike-Fully

- A = Seat Tube Length
- B = Top Tube Length (Actual)
- B* = Top Tube Length (Horizontal)
- C = Chainstay Length
- D = Head Tube Height
- E = Head Tube Angle
- F = Seat Tube Angle
- G = Seatpost diameter
- H = Bottom Bracket Drop
- I = Eye to Eye
- K = Wheel Base
- L = Standover Height



Fastlane

Fastlane Team / Fastlane

RH	A	B	B*	C	D	E	F	G	H	I	K	L
S	435	547	565	430	110	69.5°	74	31.6	15	190	1078	760
M	470	568	585	430	115	70°	74°	31.6	15	190	1093	761
L	500	586	605	430	125	70°	74°	31.6	15	190	1114	762
XL	540	597	620	430	135	70°	73.5°	31.6	15	190	1118.5	766

all dimensions in mm