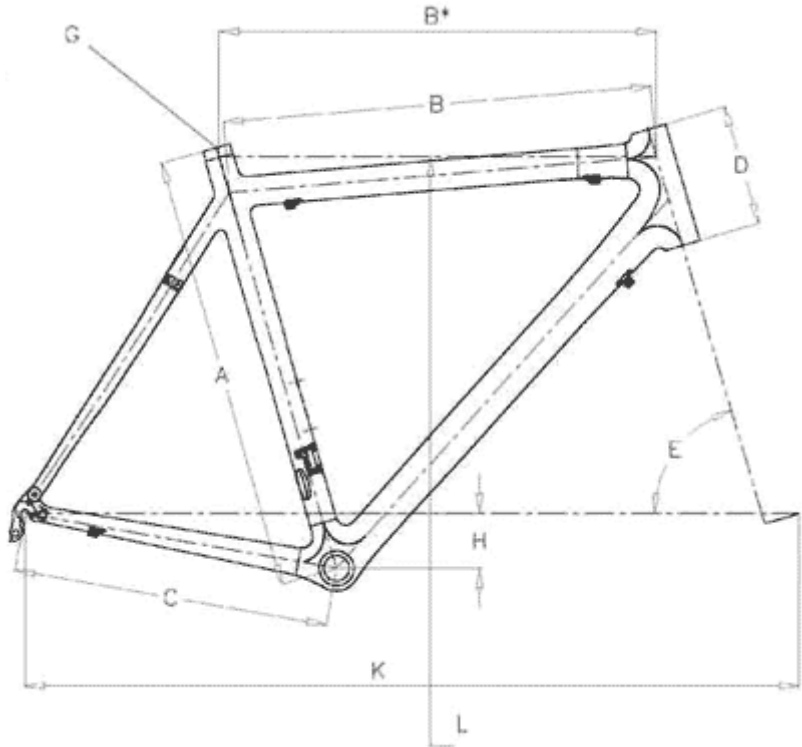


Mountainbike-Hardtall

- A = Seat Tube Length
- B = Top Tube Length (Actual)
- B* = Top Tube Length (Horizontal)
- C = Chainstay Length
- D = Head Tube Height
- E = Head Tube Angle
- F = Seat Tube Angle
- G = Seatpost diameter
- H = Bottom Bracket Drop
- K = Wheel Base
- L = Standover Height



Race Alloy

Platoon

RH	A	B	B*	C	D	E	F	G	H	K	L
38	375	541	560	425	100	69.5°	73.5°	31.6	35	1055	726.5
42	420	548	570	425	115	70°	73°	31.6	35	1055	754
47	470	565	590	425	125	70°	73°	31.6	35	1076	782
51	510	587	610	425	135	70°	73°	31.6	35	1096	805
56	560	606	625	425	145	70.5°	73°	31.6	35	1106	836

all dimensions in mm