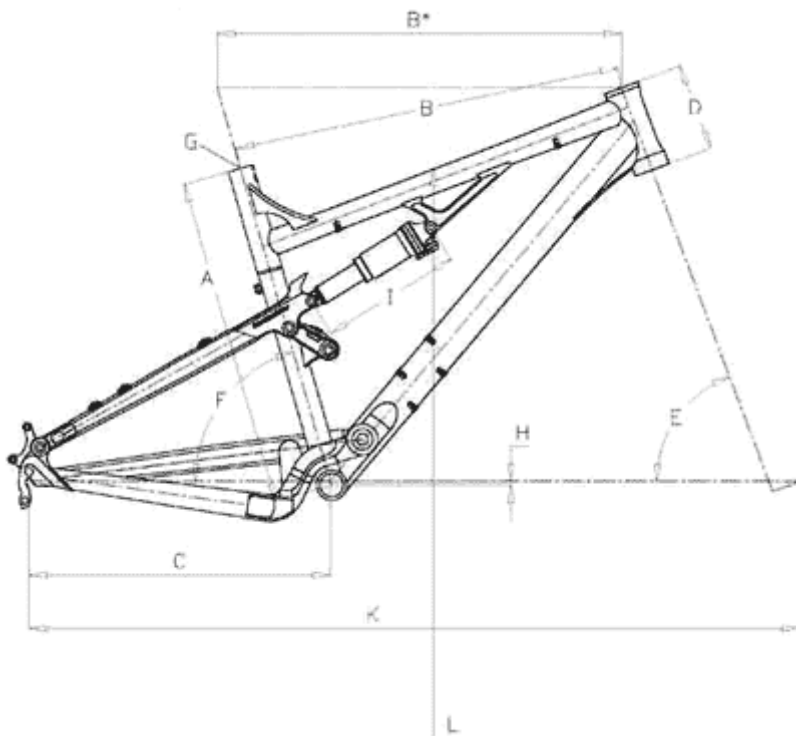


Threesome

- A = Seat Tube Length
- B = Top Tube Length (Actual)
- B* = Top Tube Length (Horizontal)
- C = Chainstay Length
- D = Head Tube Height
- E = Head Tube Angle
- F = Seat Tube Angle
- G = Seatpost diameter
- H = Bottom Bracket Drop
- I = Eye to Eye
- K = Wheel Base
- L = Standover Height



Threesome

RH	A	B	B*	C	D	E	F	G	H	I	K	L
S	430	538	561	435	115	67.5°	72°	31.6	+10	200	1097.5	815
M	470	558	582	435	125	67.5°	72°	31.6	+10	200	1117	814
L	500	577	595	435	130	67.5°	72°	31.6	+10	200	1137	813
XL	530	592	616	435	140	68°	72°	31.6	+10	200	1147	829

all dimensions in mm